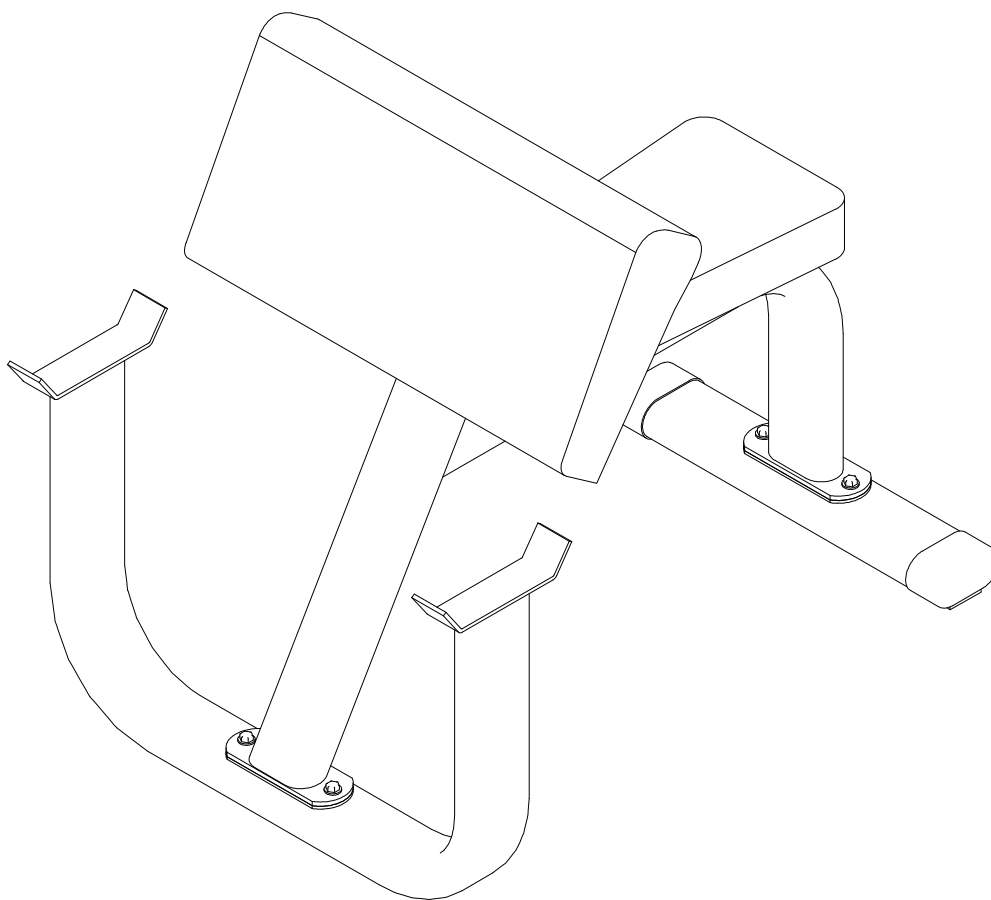


STR1700

OWNER'S MANUAL

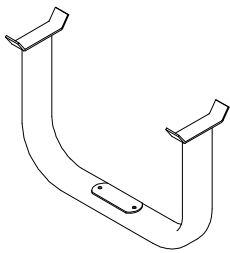


ASSEMBLY INSTRUCTION

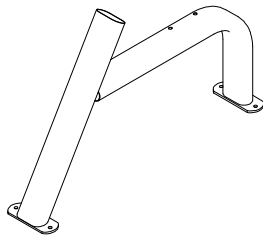
PARTS LIST

NO.	DESCRIPTION	Q'TY
1	FRONT U FRAME	1
2	MAIN SUPPORT	1
3	BACK BASE FRAME	1
4	CURL SUPPORT FRAME	1
5	SEAT CUSHION	1
6	CURL CUSHION	1
7	OVAL CAP	1
8	OVAL SPACER	1
10	3/8"x1"HEX BOLT	6
11	3/8"x3-1/8" HEX BOLT	2
12	3/8" WASHER	8

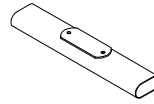
PART DRAW



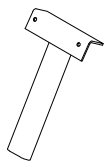
(1) FRONT U FRAME



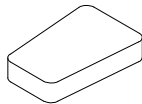
(2) MAIN FRAME



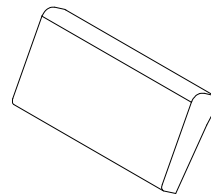
(3) BACK BASE FRAME



(4) CURL SUPPORT FRAME



(5) SEAT CUSHION



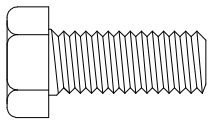
(6) CURL CUSHION



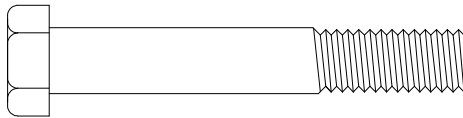
(7) OVAL CAP



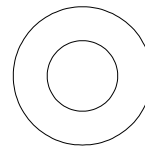
(8) OVAL SPACER



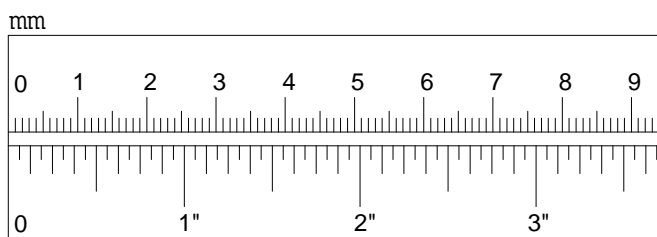
(10) 3/8"x1" HEX BOLT



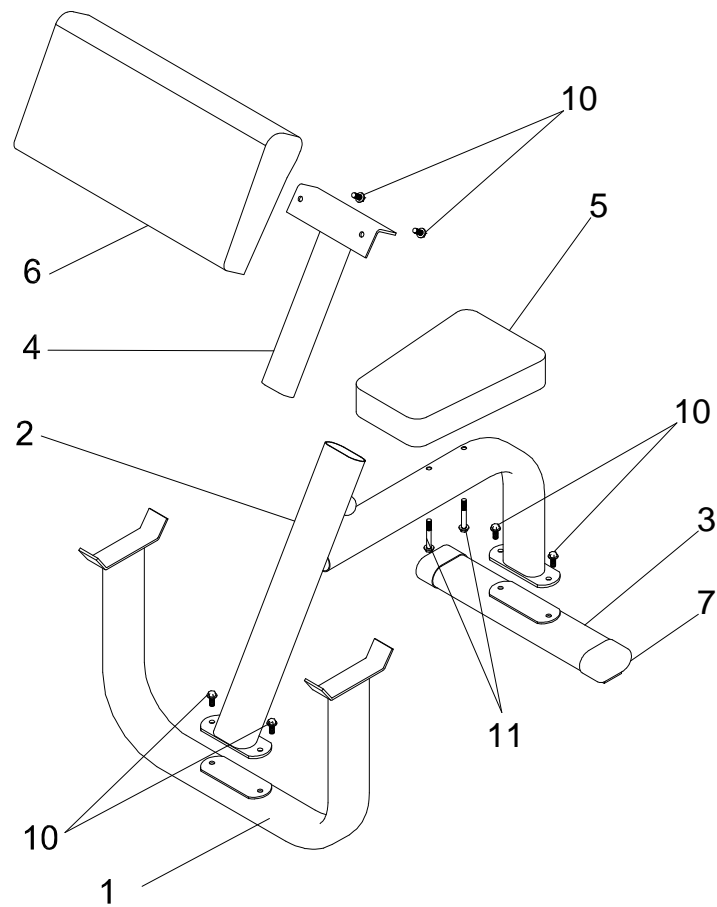
(11) 3/8"x2-3/4" HEX BOLT



(12) 3/8" WASHER



STEP



- Attach FRONT U FRAME (1) and OVAL CAP (7) to MAIN SUPPORT (2) using four 3/8"x1"HEX BOLTS (10) and four 3/8" WASHERS (12).
- Attach CURL CUSHION (6) onto CURL SUPPORT FRAME (4) using two 3/8"x1"HEX BOLTS (10) and two 3/8" WASHERS (12).
- Attach SEAT CUSHION (5) onto MAIN SUPPORT (2) using two 3/8"x3-1/8"HEX BOLTS (11) and two 3/8" WASHERS (12).
- Insert CURL SUPPORT FRAME (4) into MAIN SUPPORT (2).