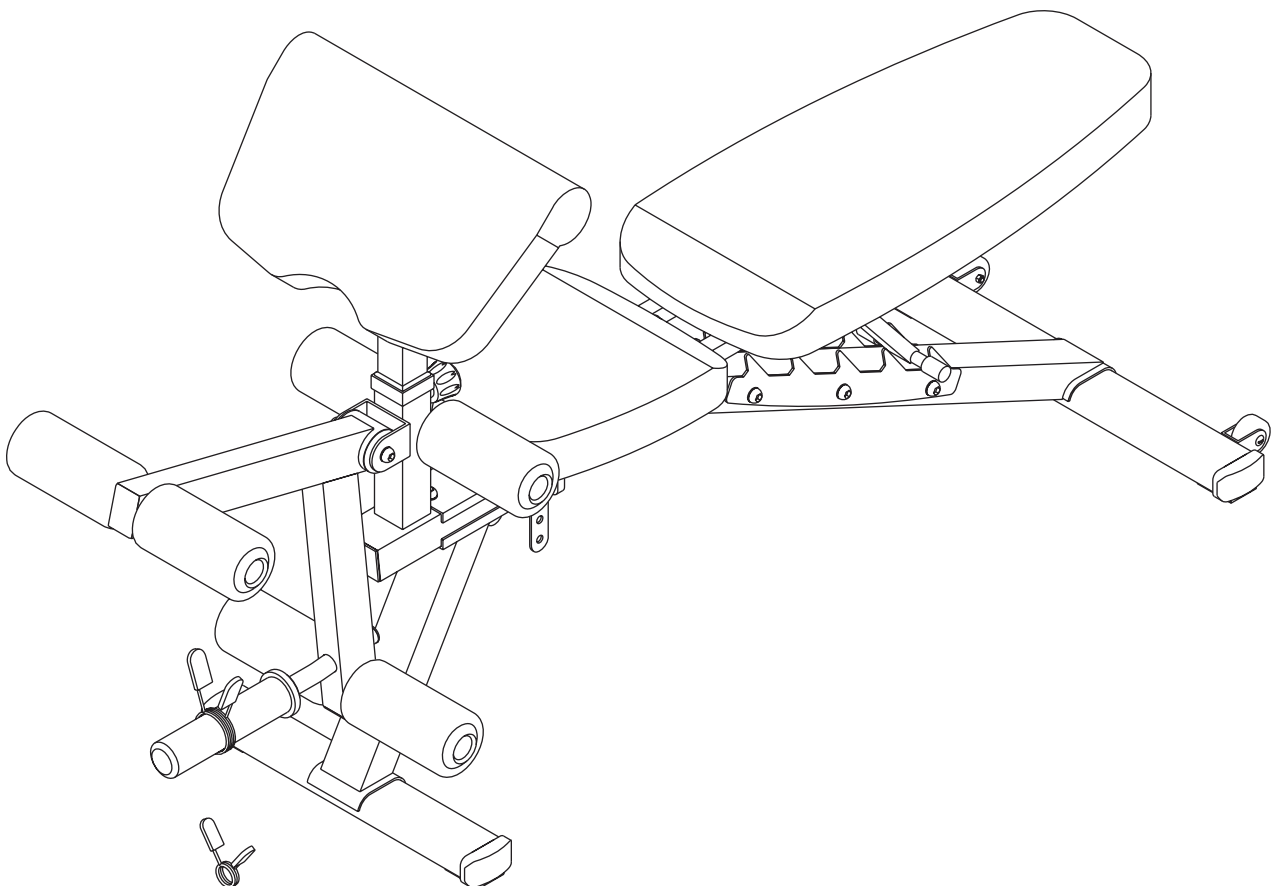
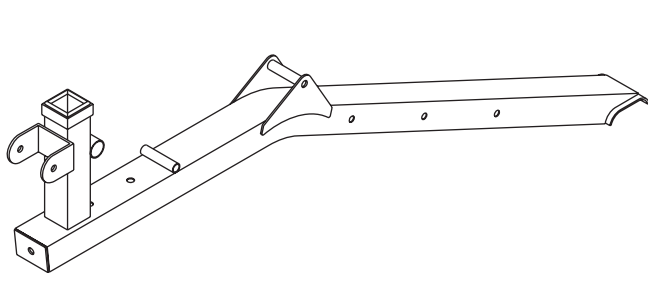


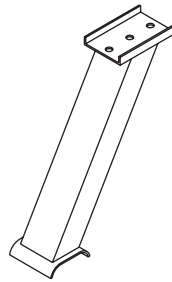


UTILITY BENCH WITH LEG DEV & PR CURL ADBE-10238

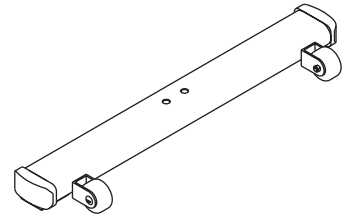




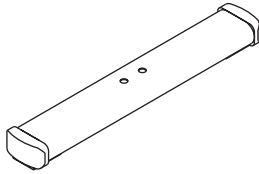
No.1 x 1



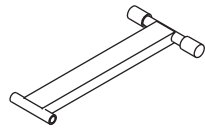
No.2 x 1



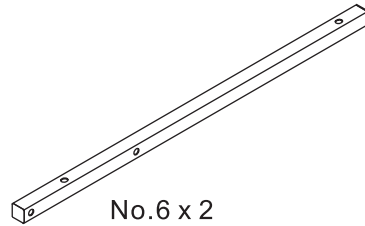
No.3 x 1



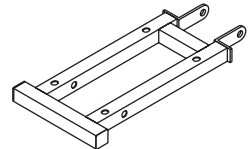
No.4 x 1



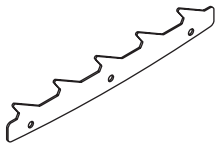
No.5 x 1



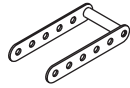
No.6 x 2



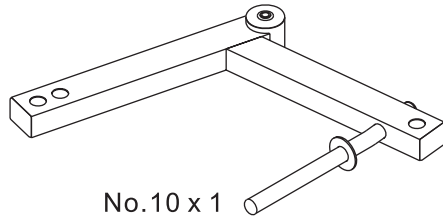
No.7 x 1



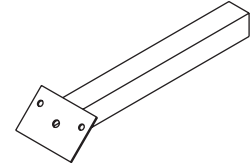
No.8 x 2



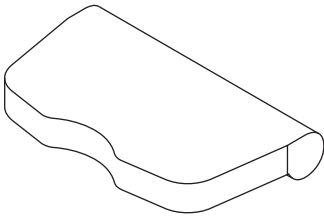
No.9 x 1



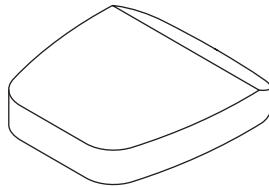
No.10 x 1



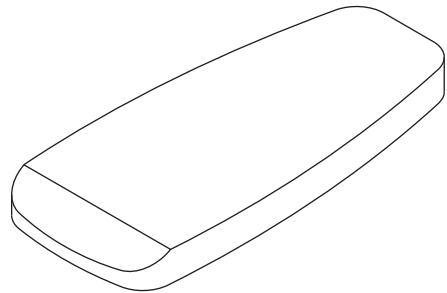
No.11 x 1



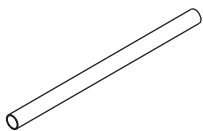
No.12 x 1



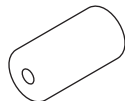
No.13 x 1



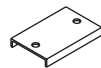
No.14 x 1



No.15 x 3



No.16 x 6



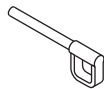
No.17 x 1



No.39 x 6



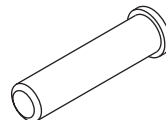
No.40 x 8



No.41 x 1



No.42 x 1



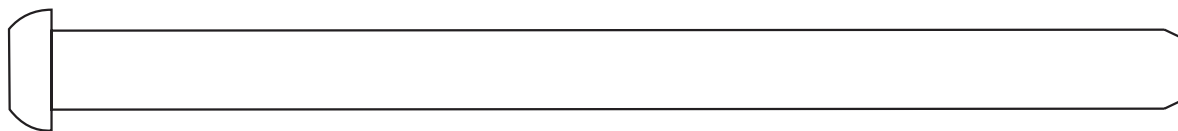
No.43 x 1



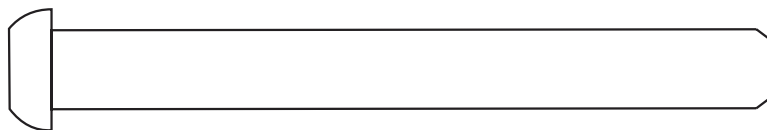
No.44 x 1



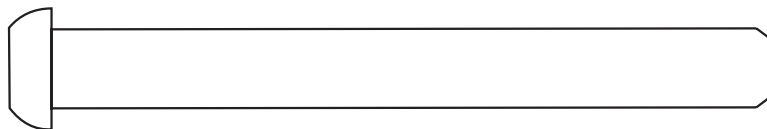
No.45 x 1



M10x150mm Bolt / Perno / Boulon (18)



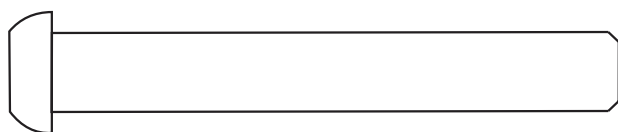
M10x95mm Bolt / Perno / Boulon (19)



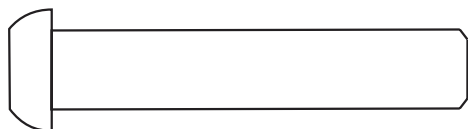
M10x95mm Bolt / Perno / Boulon (20)



M10 Nylon Locknut
Écrou en Nylon /
Contratuercas de nilón (25)



M10x75mm Bolt / Perno / Boulon (21)



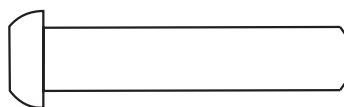
M10x55mm Bolt / Perno / Boulon (22)



M10 Washer
Arandela / Rondelle (26)



M8 Washer
Arandela / Rondelle (27)



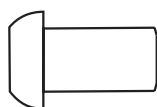
M8x45mm Bolt / Perno / Boulon (23)



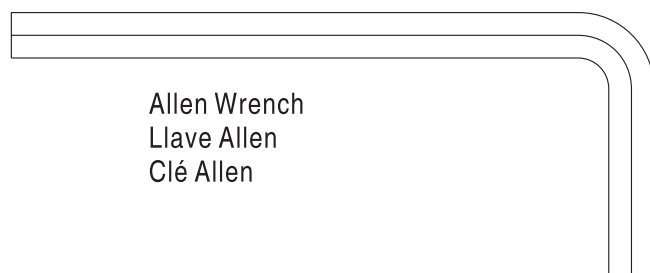
M10 Spring Washer (46)



M8 Spring Washer (47)




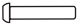



M8x20mm Bolt / Perno / Boulon (24)

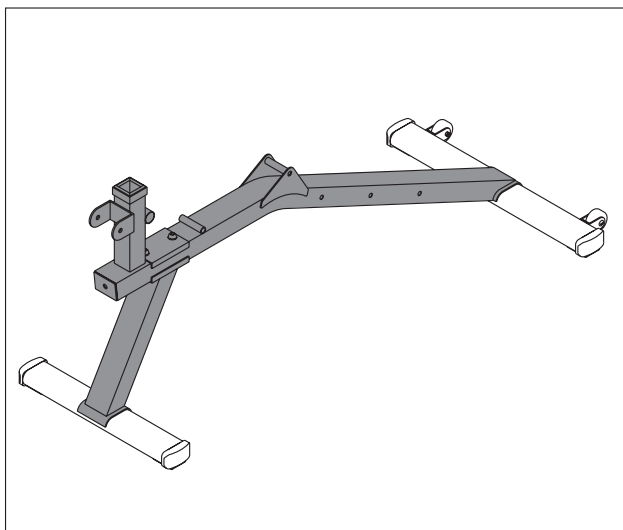
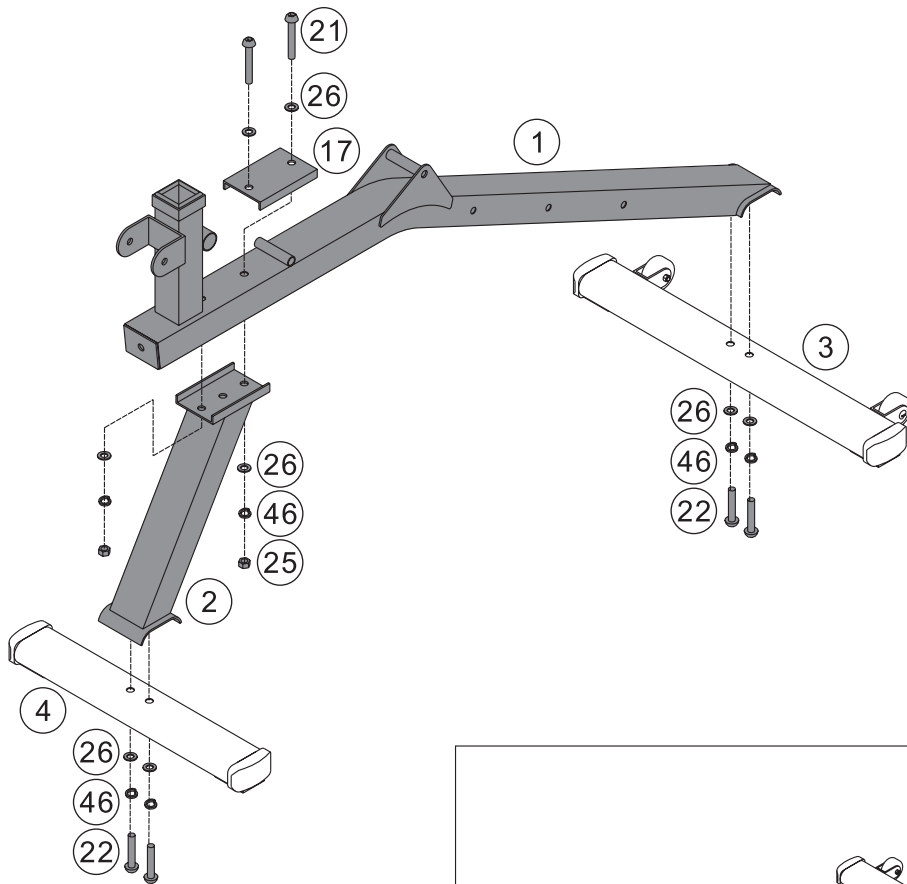
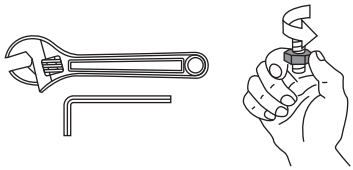






Allen Wrench
Llave Allen
Clé Allen

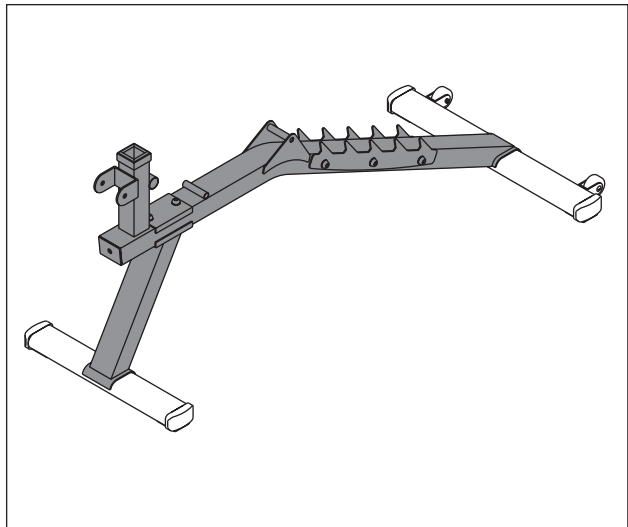
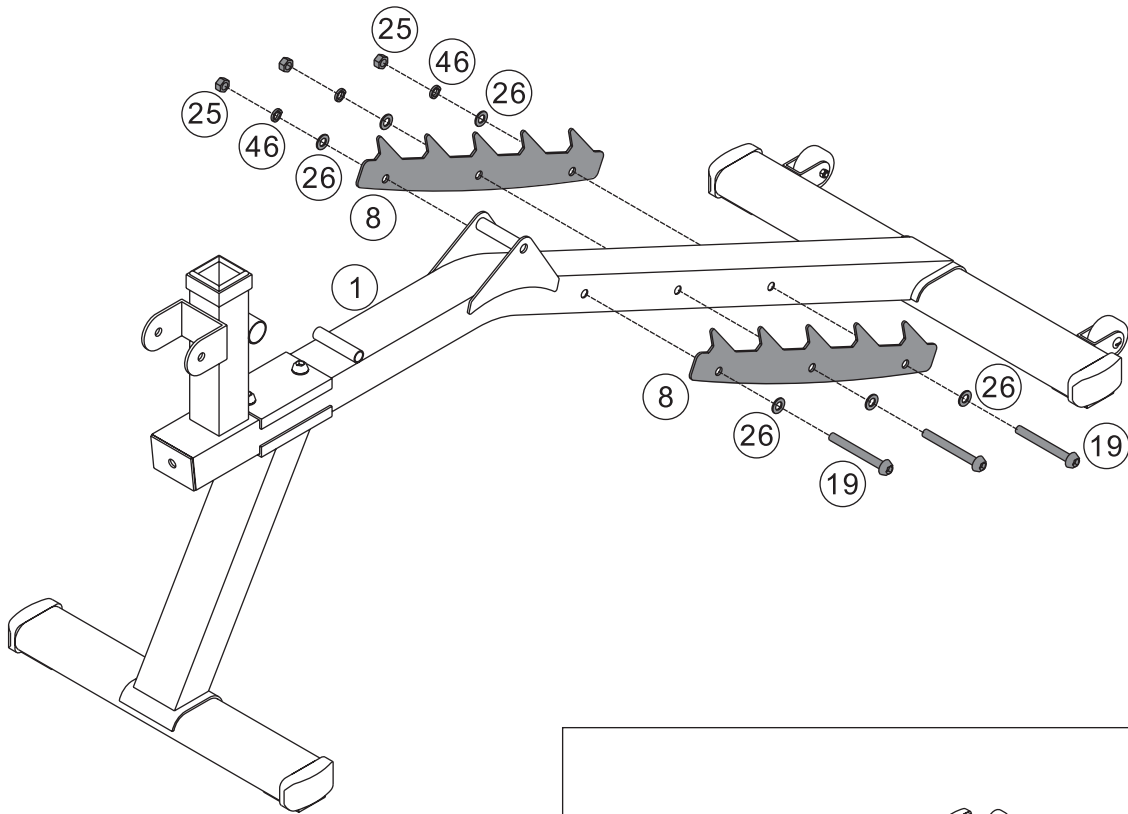
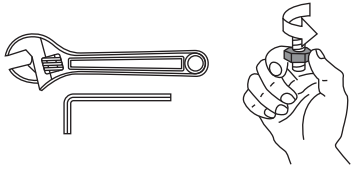


Allen Wrench
Llave Allen
Clé Allen

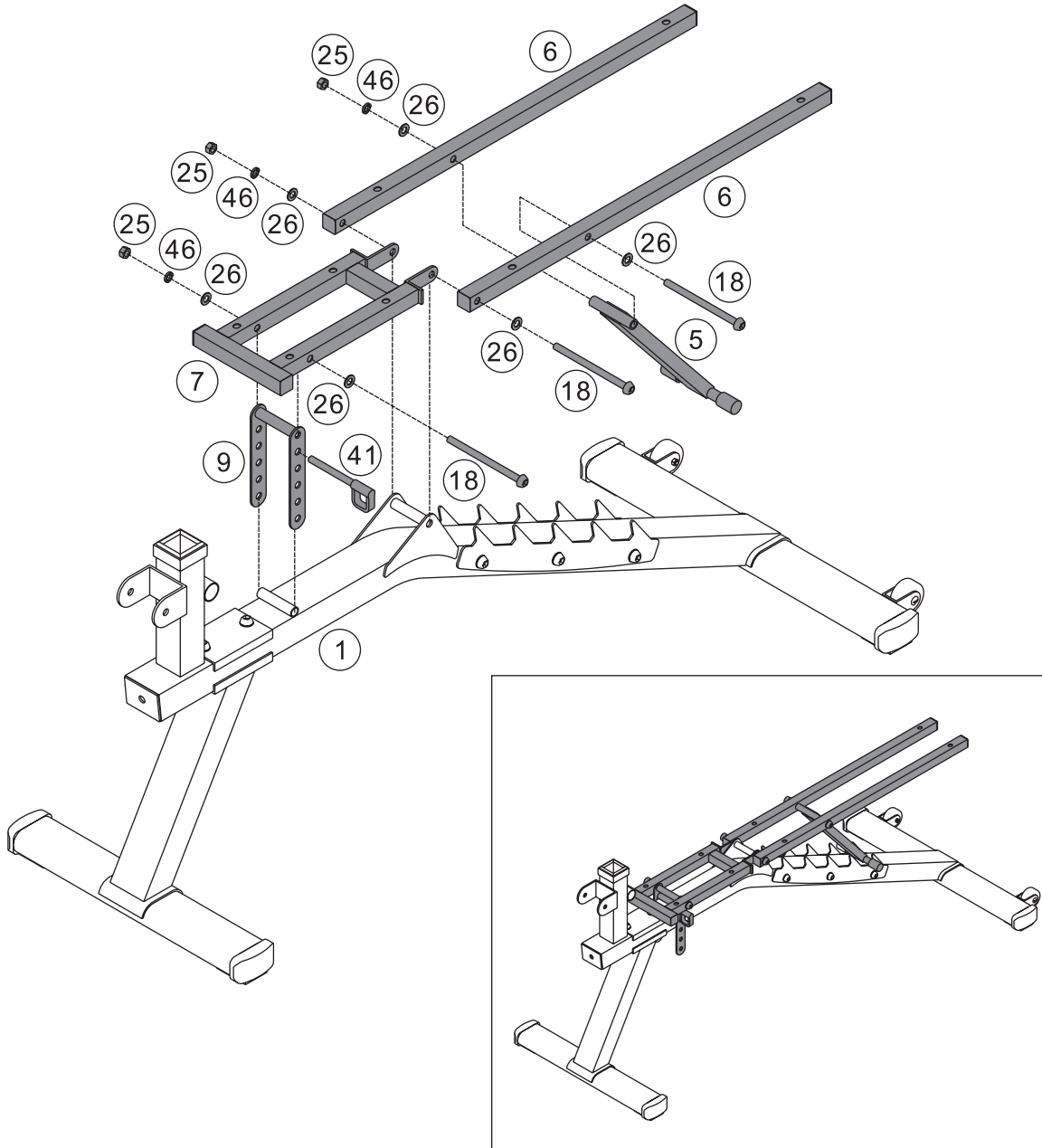
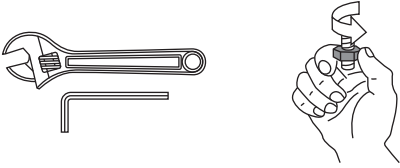
- | | | |
|----|---|--------------|
| ②1 |  | ×2 M10×75mm |
| ②2 |  | ×4 M10×55mm |
| ②5 |  | ×2 M10 |
| ②6 |  | ×8 Ø20xØ10.5 |
| ④6 |  | ×6 M10 |



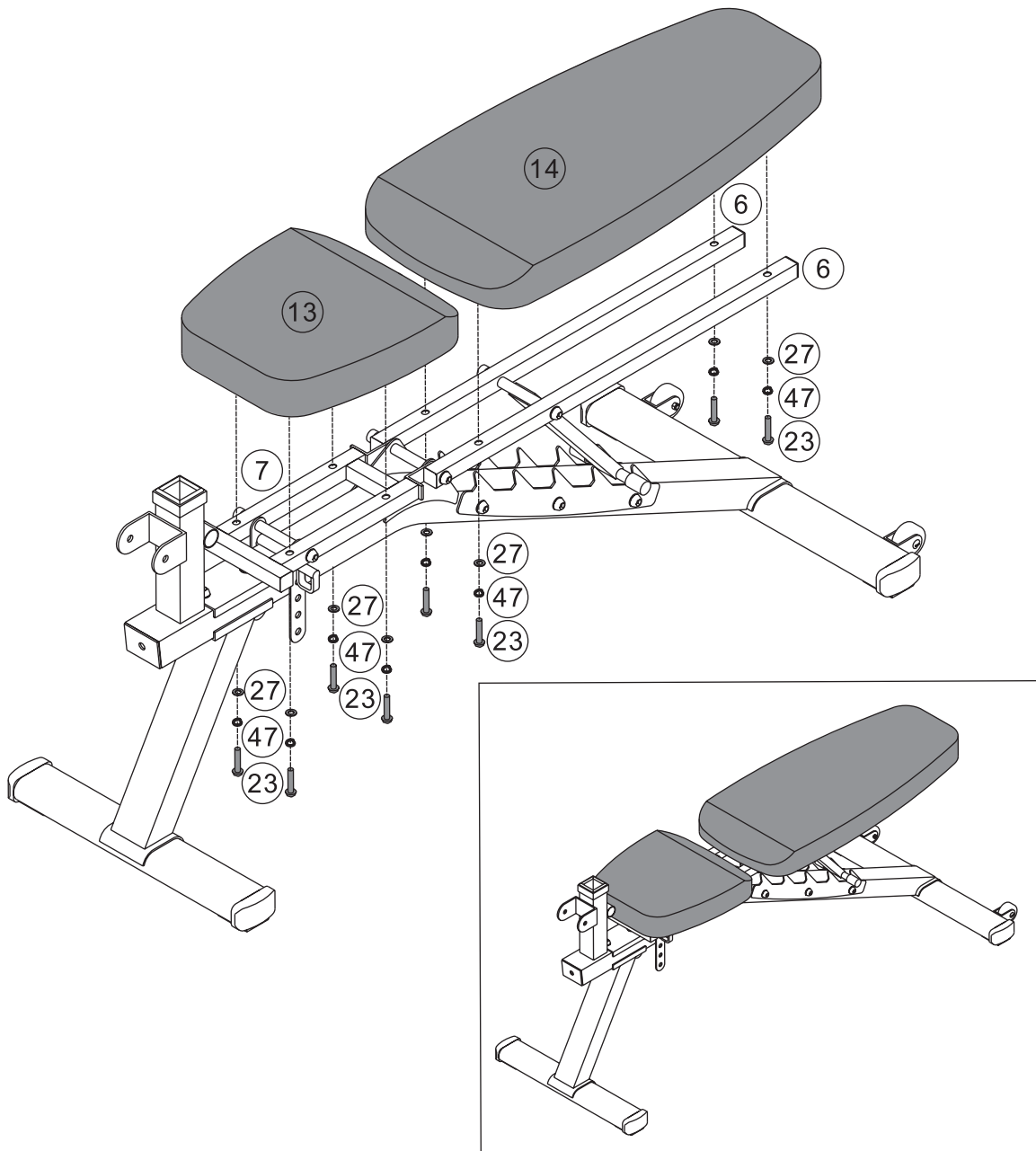
- | | | |
|----|---|--------------|
| ①⑨ |  | ×3 M10×95mm |
| ②⑤ |  | ×3 M10 |
| ②⑥ |  | ×6 Ø20xØ10.5 |
| ④⑥ |  | ×3 M10 |



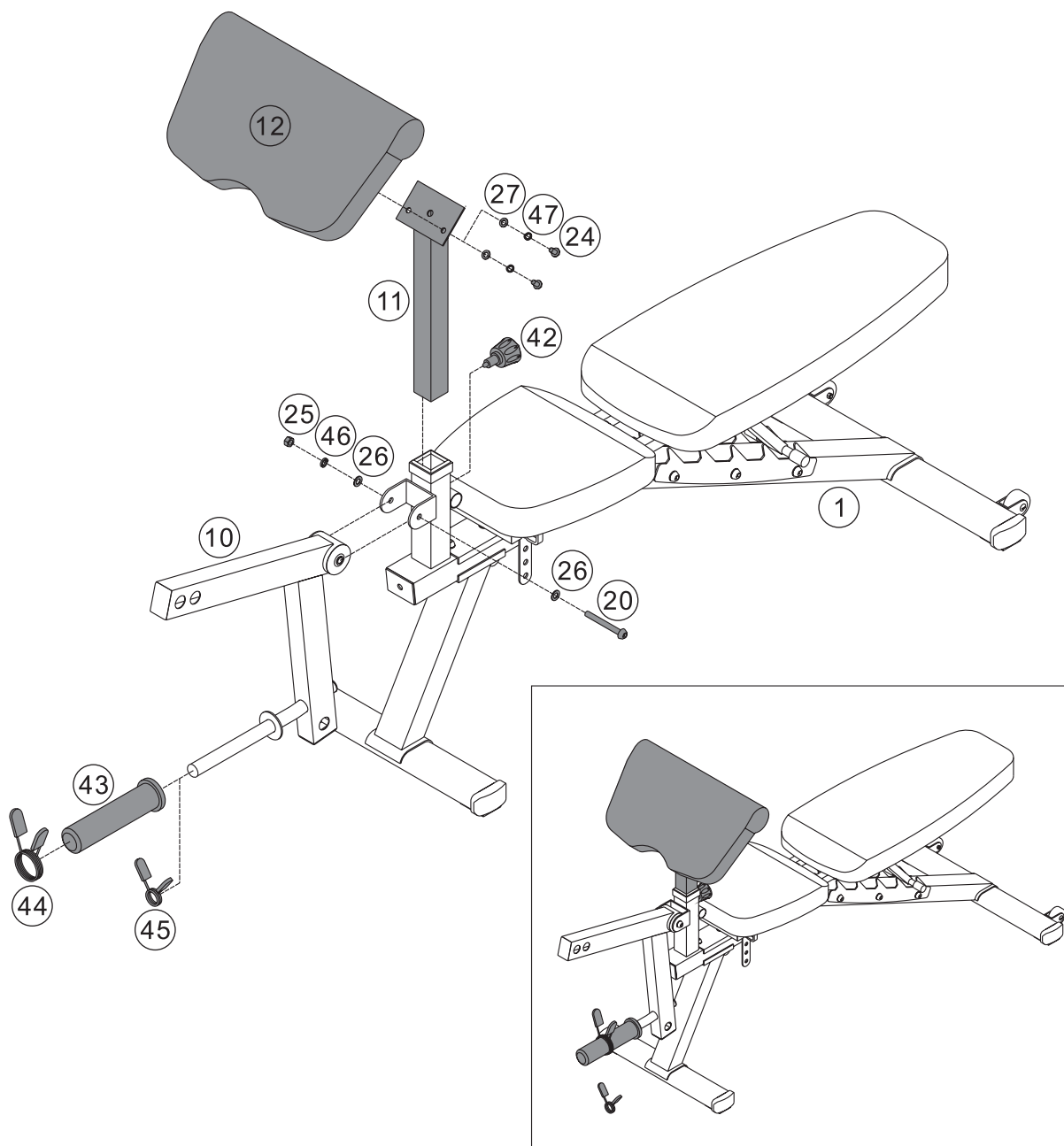
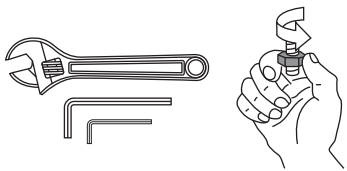
- | | | |
|----|---|--------------|
| 18 |  | ×3 M10×150mm |
| 25 |  | ×3 M10 |
| 26 |  | ×6 Ø20xØ10.5 |
| 46 |  | ×3 M10 |

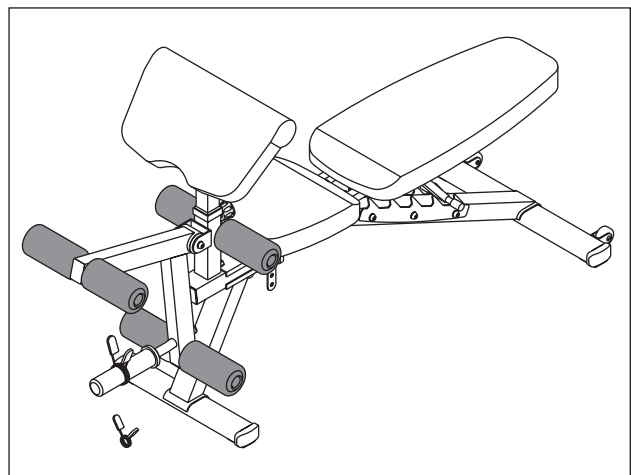
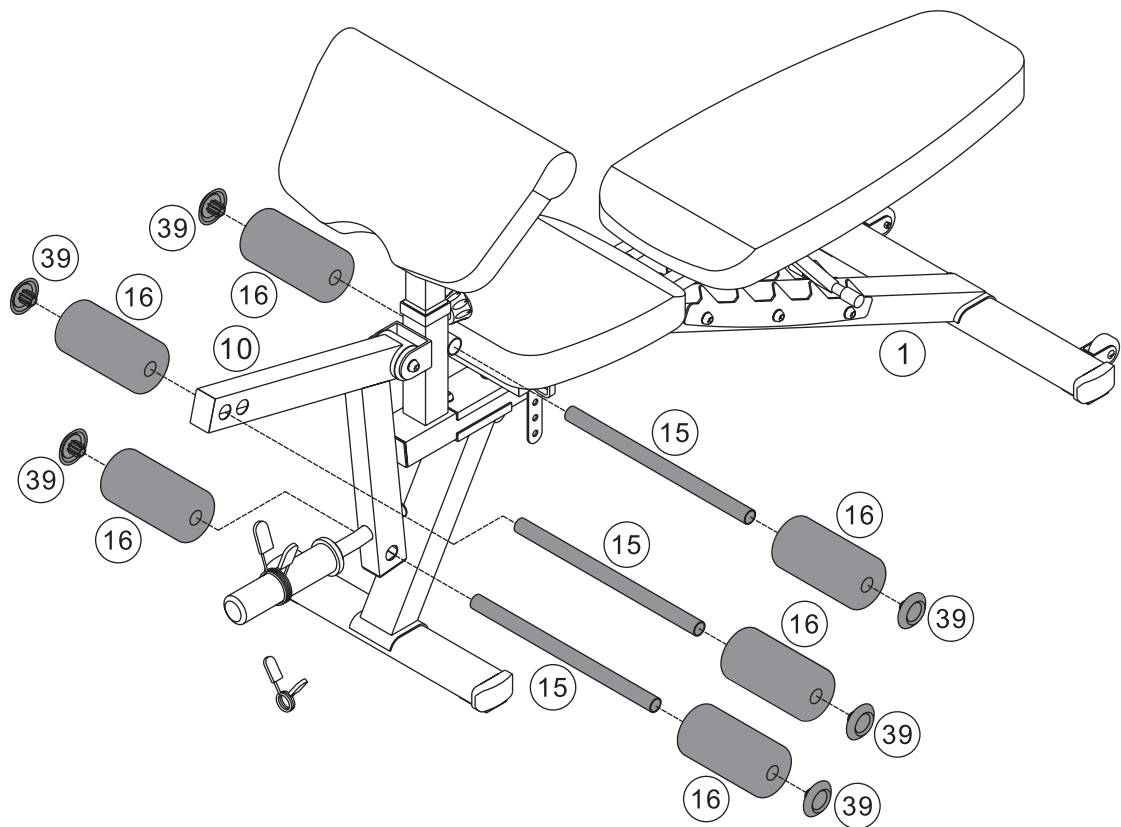


- | | | |
|----|---|-------------|
| 23 |  | ×8 M8×45mm |
| 27 |  | ×8 Ø16xØ8.4 |
| 47 |  | ×8 M8 |



- | | | |
|----|---|--------------|
| 20 |  | ×1 M10×95mm |
| 24 |  | ×2 M8×20mm |
| 25 |  | ×1 M10 |
| 26 |  | ×2 Ø20xØ10.5 |
| 27 |  | ×2 Ø16xØ8.4 |
| 46 |  | ×1 M10 |
| 47 |  | ×2 M8 |

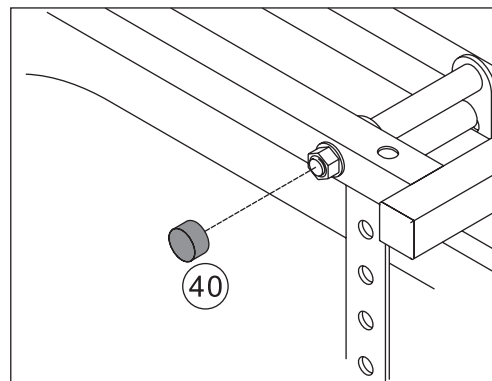
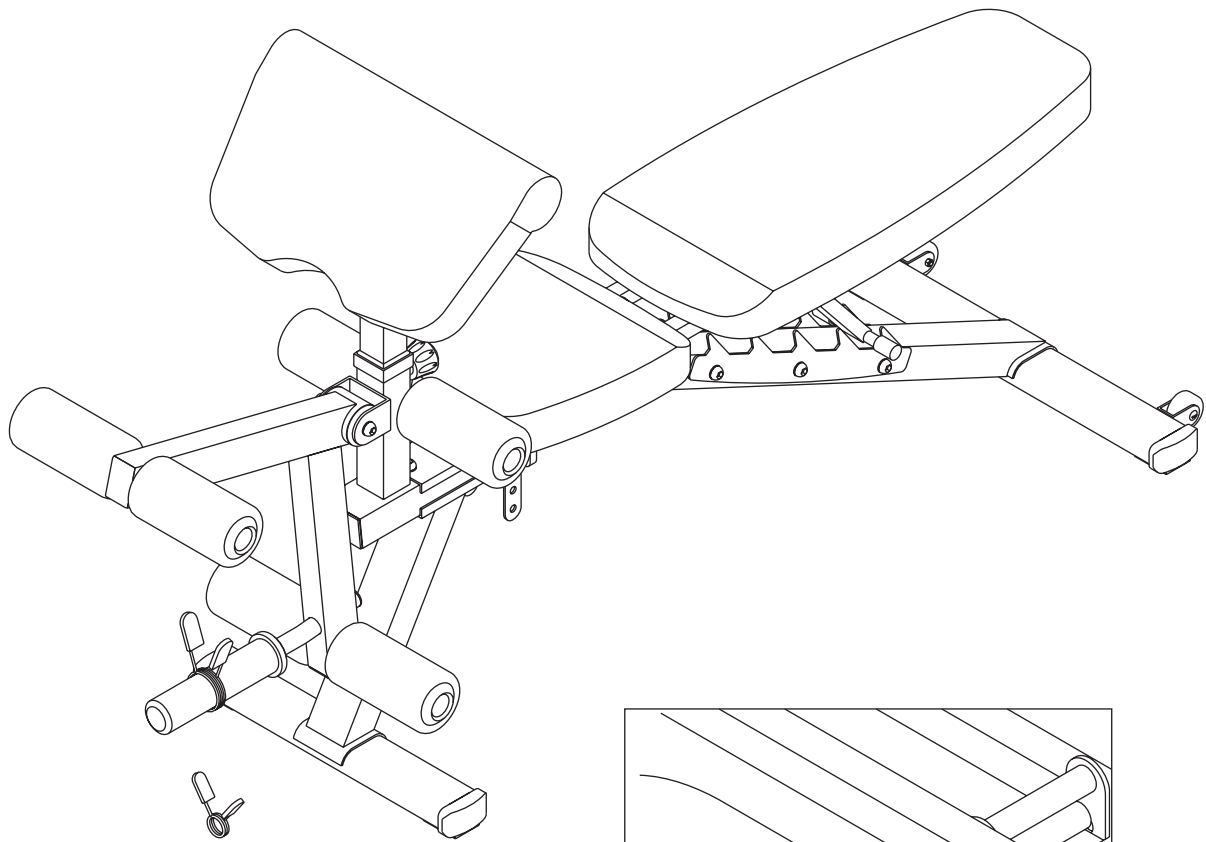


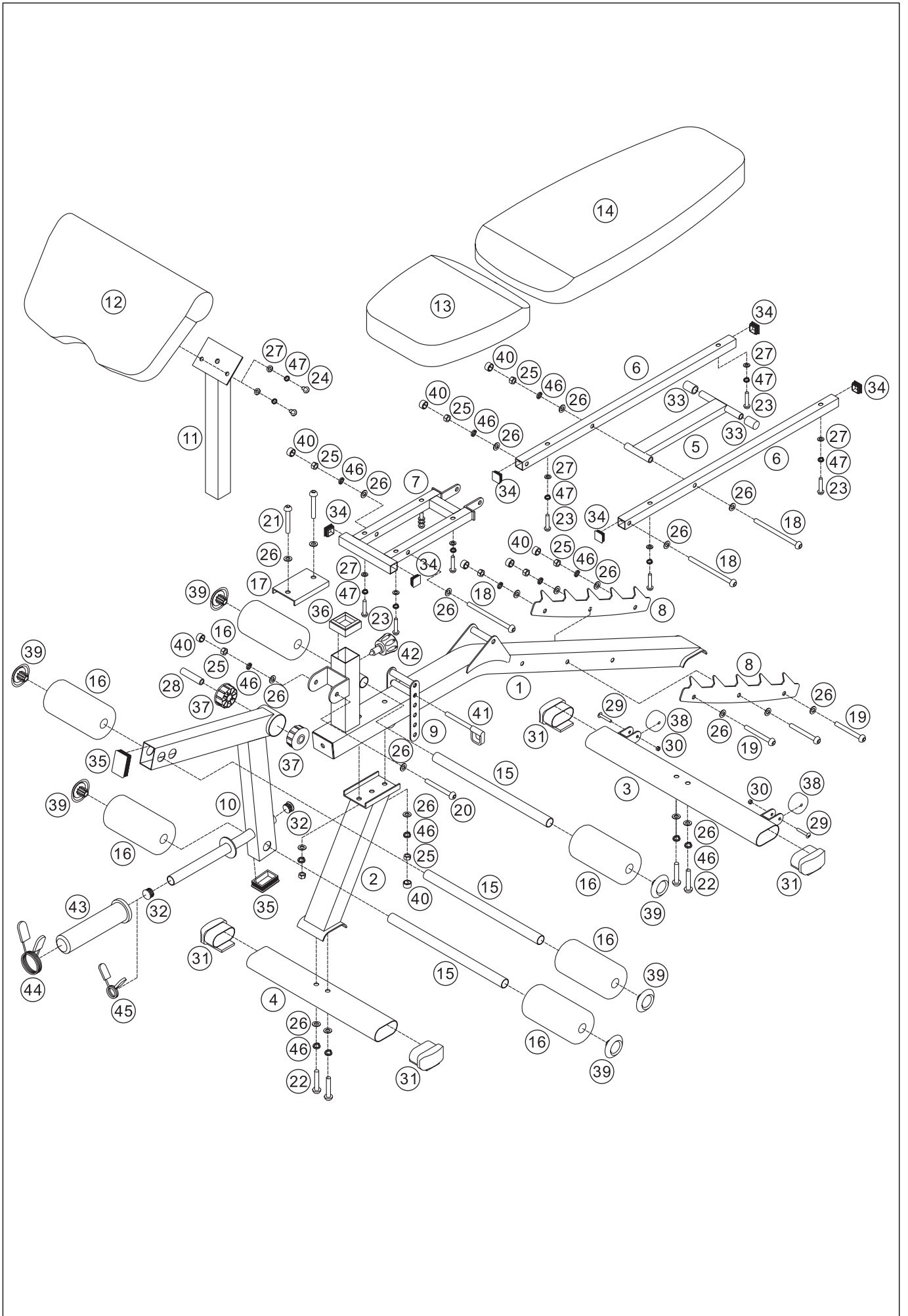


40



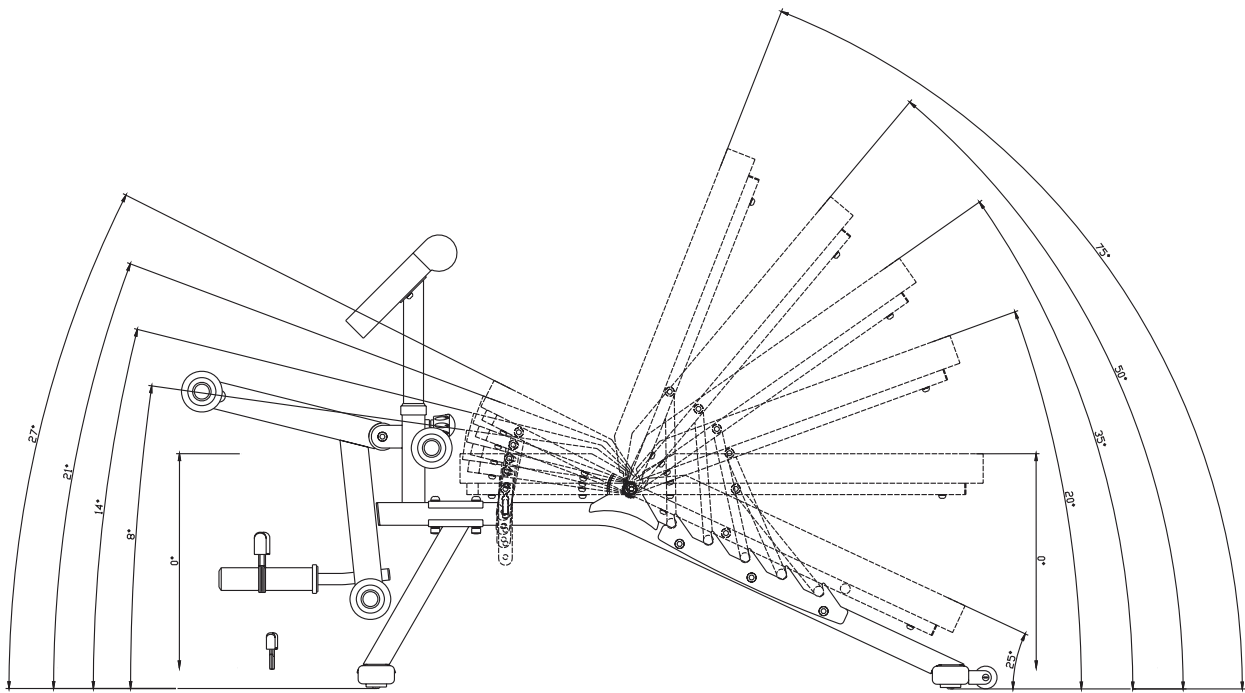
×8 M10





No.	Part No.	Description	Qty.
1	FMAD614AB-01	Main Frame	1
2	FMAD614AB-02	Front Leg	1
3	FMAD614AB-03	Rear Stabilizer	1
4	FMAD614AB-04	Front Stabilizer	1
5	FMAD614AB-05	Backrest Incline Support	1
6	FMAD614AB-06	Backrest Support	2
7	FMAD614AB-07	Seat Bracket	1
8	FMAD614AB-08	Incline Support Frame	2
9	FMAD614AB-09	Seat Incline Adjustment Frame	1
10	FMAD614AB-10	Leg Developer	1
11	FMAD614AB-11	Arm Curl Stand	1
12	FMAD614AB-12	Arm Curl Pad	1
13	FMAD614AB-13	Seat Pad	1
14	FMAD614AB-14	Backrest Board	1
15	FMAD614AB-15	Foam Tube	3
16	FMAD614AB-16	Foam Roll	6
17	FMAD614AB-17	Support Plate	1
18	FMAD614AB-18	M10 x 150mm Bolt	3
19	PFM3008-17	M10 x 95mm Bolt	3
20	FMAD614AB-19	M10 x 95mm Bolt	1
21	PFM2101-23	M10 x 75mm Bolt	2
22	PFMCS704MF-13	M10 x 55mm Bolt	4
23	PFMS80-32	M8 x 45mm Bolt	8
24	PFM2006-23	M8 x 20mm Bolt	2
25	PRK1-05	M10 Nylon Locknut	9
26	PRK1-06	M10 Washer	22
27	PFM2006-27	M8 Washer	10
28	FMAD614AB-20	Axle Sleeve	1
29	PFMCS704MF-18	M6 x 40mm Bolt	2

30	PHHBXROK002-26	M6 Nylon Locknut	2
31	PFMH1001-21	40x80mm Ellipse End Cap	4
32	PRK1-03	25mm Round Inner Cap	2
33	FMAD614AB-21	16mm Round Angled Cap	2
34	PFM2240-32	25mm Square Inner Cap	6
35	PFM4004-24	40x60mm Square Inner Cap	2
36	PFM2007-11	50x44mm Square Plastic Bushing	1
37	PFM4004-17	60x16mm Round Plastic Bushing	2
38	PFMCB804DX-10	Wheel	2
39	FMAD614AB-22	25mm Large Round Inner Cap	6
40	FMAD614AB-23	Bolt Cover Cap	8
41	FMAD614AB-24	P Pull Pin	1
42	FMAD614AB-25	Pop Pin	1
43	FMAD614AB-26	Olympic Sleeve	1
44	FMAD614AB-27	2" Spring Clip	1
45	PFMS80WA-29	1" Spring Clip	1
46	FMAD613-06	M10 Spring Washer	13
47	FMAD613-07	M8 Spring Washer	10



Product Guarantee:

This product is guaranteed against manufacturing defects for a period of **ONE year**.

- In the event of a problem with the product with in the guarantee period call the

Customer Helpline: 0800 440 2459.

- 质保期内，一旦产品出现问题，请拨打

客户热线：0086-411-82766207

- I tilfælde af et problem med produktet inden for garantien kan du ringe til

Kundehjælpelinjen: +45 2859 1998.

- Mikäli tuotteessa ilmenee ongelma takuuajan kuluessa, soita

Asiakaspalveluun: +45 2859 1998.

- Si vous rencontrez un problème avec le produit pendant la période de garantie, veuillez appeler notre

Assistance téléphonique client : +33 (0)171 82 84 99.

- Im Falle eines Problems mit dem Produkt innerhalb des Garantiezeitraums rufen Sie bitte folgen de Nummer an

Kundendienst: +49 (0) 6431 58463-0.

- Σε περίπτωση προβλήματος με το προϊόν εντός της περιόδου εγγύησης, τηλεφωνήστε στη

Γραμμή Βοήθειας Πελατών: +30 210 2758228.

- In caso di problemi con il prodotto durante il periodo di garanzia, contattare il numero di

Assistenza Clienti: +49 (0) 6431 58463 13.

- In het geval van een probleem met het product binnen de garantieperiode, neemt u Contact op m et

de klantenservice: +49 (0)6 431 58 4630.

- Ved et problem med produktet innen garantiperioden ring

Kundeservice: +45 2859 1998.

- Caso ocorra algum problema com o produto durante a garantia, contacte a

Linha de Apoio a Clientes: +35 1 96 10 14 778.

- Si experimenta algún problema con el producto dentro del plazo de garantía, puede contactar co n nosotros a través de:

Teléfono de atención al cliente: +34 800 600 816.

- Om problem med produkten uppstår under garantiperioden, kontakta

Kundtjänst: +46 (0)40-303144.

- Garanti süresi içinde ürünle ilgili herhangi bir sorun yaşanması durumunda, şu Numarayı arayınız:

Müşteri Yardım Hattı: +90 212 8757901.